

J 1HBSM C

JAVA Tap Range Java 1 Hole Bath Shower Mixer Chrome



Features:

- Long life ceramic cartridge for added durability and ease of use
- Metal fixing nut for added durability
- Includes 1.75m hose, rub-clean anti-limescale handset and wall bracket
- Minimum working pressure of 0.4 bar
- 1.75m shower hose

Product Certifications:



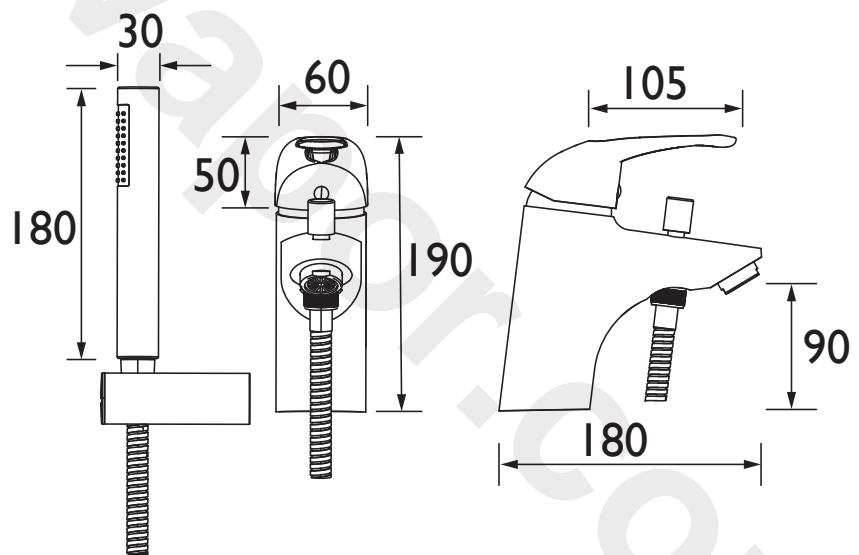
For more products, visit our website:
<http://www.bristan.com>



Specification

Product Type:	Taps
Main Construction Material:	Brass
Mount Type:	Dec
Handle Type:	Leverr
Connection Inlet:	M15 x 15mm screw-in copper tail pipes
Connection Outlet:	M28 Flow Straightener
Number of Tap Holes:	1
Valve/Cartridge Type:	45mm Single Lever Cartridge
Plumbing System Requirements:	Suitable for all plumbing systems
Minimum Dynamic Pressure (bar):	0.4 bar
Maximum Dynamic Pressure (bar):	5.0 bar
Maximum Hot Water Temperature °C:	65°C
Maximum Static Pressure (bar):	10 bar
Flow Type:	Single
Isolation Included:	No

Dimensions (measurements in mm)



Flow Rates (l/min)

System Pressure (bar)	0.4	0.5	1	2	3	5
Through Bath Filler (mixed)	16	17.8	25.2	35.7	43.7	56.4
Through Handset (mixed)	6.8	7.6	10.7	15.2	18.6	24

TECHNICAL DATA SHEET



BRISTAN

D8